

# MIL-C-26482 Se.1

## CONNECTOR



### Table of Contents

Technical Specifications		2
Ordering Information		4
Contact and Insert Arrangements	Insert Alternate & Alternate Positioning	4
	Insert Arrangements	5
MIL-C-26482 Series I	Wall Mounting Receptacle (MS3110)	7
	In-Line Receptacle (MS3111)	9
	Box Mounting Receptacle (MS3112)	11
	Jam Nut Receptacle (MS3114)	11
	Straight Plug (MS3116)	13
	Thru-Bulkhead Receptacle (MS3119)	15
MIL-C-26482 Accessories	Protective Cover (MS3180 / MS3181)	16

## Technical Specifications

### Materials & Finishes

Shell	Aluminum alloy / Olive drab chromate coating over cadmium plating
Insulator	Synthetic rubber
Contact	Copper alloy / Gold plating
Grommet and Seal	Synthetic rubber

### Electrical Data

Operating Voltage / Test Voltage

Service Rating	Test Altitude	Maximum Operating Voltage		Test Voltage	
		DC V	AC V(r.m.s.)	DC V	AC V(r.m.s.)
I	Sea Level	850	600	2,100	1,500
II		1,275	1,000	3,200	2,300
I	70,000 feet	-	300	535	375
II		-	450	770	500

Current Rating

Contact Size	Rated Current (Amps)	Test Current (Amps)	Potential Drop (Millivolts)
20	7.5	7.5	< 55
16	22.0	13.0	< 49
12	23.0	20.0	< 42

Contact Resistance	Size 20 : 4mΩ      Size 16 : 3mΩ
Insulator Resistance	Min. 5000 Megohms at 77°F (+25°C)
Shielding	70 dB to 5 MHz, 40 dB to 100 MHz

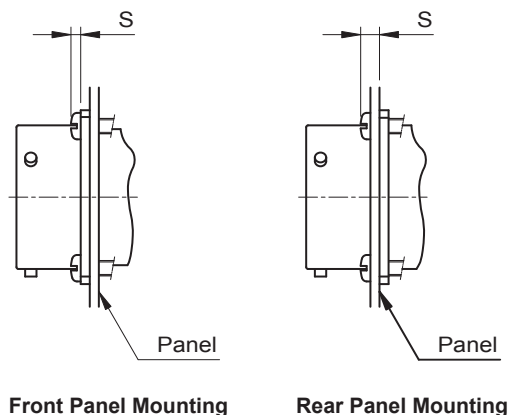
### Mechanical

Operating Temperature	-67°F (-55°C) to +257°F (+125°C)																																
Water Pressure	2 bar differential pressure, leakage ≤16 cm <sup>3</sup> /hr																																
Wire Sealing Range	<table border="1"> <thead> <tr> <th rowspan="3">Contact Size</th> <th rowspan="3">AWG Wire Size</th> <th colspan="4">Insulation Outside Diameter Limit</th> </tr> <tr> <th colspan="2">Min.</th> <th colspan="2">Max.</th> </tr> <tr> <th>Inches</th> <th>mm</th> <th>Inches</th> <th>mm</th> </tr> </thead> <tbody> <tr> <td>20</td> <td>24, 22 and 20</td> <td>0.060</td> <td>1.52</td> <td>0.083</td> <td>2.11</td> </tr> <tr> <td>16</td> <td>20, 18 and 16</td> <td>0.066</td> <td>1.68</td> <td>0.109</td> <td>2.77</td> </tr> <tr> <td>12</td> <td>12 and 14</td> <td>0.097</td> <td>2.46</td> <td>0.149</td> <td>3.78</td> </tr> </tbody> </table>	Contact Size	AWG Wire Size	Insulation Outside Diameter Limit				Min.		Max.		Inches	mm	Inches	mm	20	24, 22 and 20	0.060	1.52	0.083	2.11	16	20, 18 and 16	0.066	1.68	0.109	2.77	12	12 and 14	0.097	2.46	0.149	3.78
Contact Size	AWG Wire Size			Insulation Outside Diameter Limit																													
				Min.		Max.																											
		Inches	mm	Inches	mm																												
20	24, 22 and 20	0.060	1.52	0.083	2.11																												
16	20, 18 and 16	0.066	1.68	0.109	2.77																												
12	12 and 14	0.097	2.46	0.149	3.78																												
Durability	500 cycles minimum.																																
Salt Spray	48 hours at environmental temperature.																																
Heat	+347°F (+175°C) for 1,000 hours.																																
Chemical Resistance	20 hour full immersion unmated in hydraulic fluid and lubricating oil.																																
Vibration	200 m/s <sup>2</sup> at 10 to 2,000Hz																																
Shock	50g's, 11 ms duration, three major axes. 10 microseconds maximum discontinuity.																																
Contact Style	Solder																																
Number of Contact	2 to 61																																

Contact Retention	Axial Load Min.	
	Contact Size	
		Newtons      Lbs.
	20	66.7      15
	12 and 16	111.2      25

## Technical Specifications

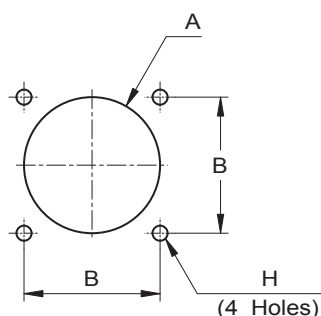
### Panel Mounting Data



### Max. Panel & Screw Head

Shell Size	MS3100	MS3100	MS3119
8	2.21	2.21	5.54
10	2.21	2.21	5.54
12	2.21	2.21	5.54
14	2.21	2.21	5.54
16	2.21	2.21	5.54
18	2.21	2.21	5.54
20	2.21	2.21	8.74
22	2.21	2.21	8.74
24	5.38	5.38	7.90

### Panel Cutout Dimensions

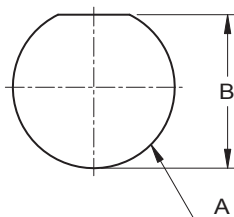


### Box & Wall Mounting Receptacle

Shell Size	for Rear Mtg A dia. +0.25 / - 0.00	for Front Mtg A dia. +0.25 / - 0.00	B ±0.15	H dia. +0.3 / - 0.0
8	14.00	12.70	15.10	3.1
10	17.00	16.00	18.30	3.1
12	22.00	19.00	20.60	3.1
14	25.00	22.20	23.00	3.1
16	28.00	25.50	24.60	3.1
18	31.00	28.50	27.00	3.1
20	34.50	31.70	29.40	3.1
22	37.50	35.00	31.80	3.1
24	41.00	38.00	34.90	3.6

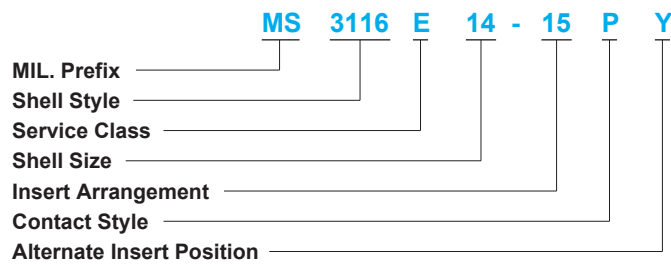
### Jam Nut Receptacle

Shell Size	A dia. +0.25 / - 0.00	B +0.00 / - 0.12
8	14.50	13.60
10	17.70	16.80
12	22.70	20.90
14	25.70	24.10
16	28.80	27.20
18	32.00	30.40
20	35.10	33.60
22	38.40	36.80
24	41.50	40.00



# MSCN / MIL-C-26482 Series 1

## Ordering Information



**Shell Style**

- 3110 = Wall mount receptacle
- 3111 = In-line receptacle
- 3112 = Box mount receptacle (Class "E" only)
- 3114 = Jam nut receptacle
- 3116 = Straight plug
- 3119 = Thru-bulkhead receptacle (Class "E" only)

**Service Class**

- A = General duty
- E = Grommet seal
- F = Grommet seal with clamp
- J = Sealing gland backshell
- P = Potting shell

**Shell Size**

8, 10, 12, 14, 16, 18, 20, 22 and 24

**Insert Arrangement**

See, MIL-STD-1669 (page 5, 6)

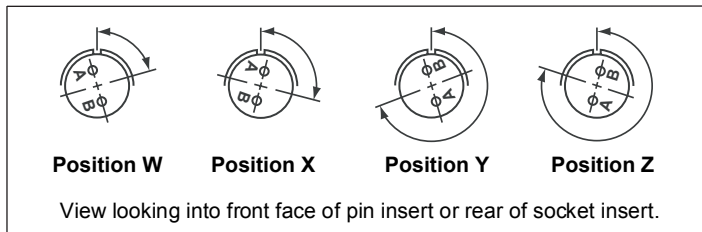
**Contact Style**

- P = Pin
- S = Socket

**Alternate Insert Position**

W, X, Y, Z (Ref. : MIL-STD-1669)

## Alternate Positioning



Shell Size	Layout	Service Rating	Total Contacts	Contact Size			Alternate Position -Degrees			
				20	16	12	W	X	Y	Z
8	2	I	2	2			58	122	-	-
	3	I	3	3			60	210	-	-
	4	I	4	4			45	-	-	-
	33	I	3	3			90	-	-	-
10	6	I	6	6			90	-	-	-
	98	I	6	6			90	180	240	270
12	3	II	3		3		-	-	180	-
	8	I	8	8			90	112	203	292
	10	I	10	10			60	155	270	295
14	4	I	4			4	45	-	-	-
	5	II	5		5		40	92	184	273
	12	I	12	8	4		43	90	-	-
	15	I	15	14	1		17	110	155	234
	18	I	18	18			15	90	180	270
	19	I	19	19			30	165	315	-
16	22	I	5	1		4	45	-	-	-
	8	II	8		8		54	152	180	331
	23	I	23	22	1		158	270	-	-
	26	I	26	26			60	-	275	338
	99	I	23	21	2		66	156	223	340

Shell Size	Layout	Service Rating	Total Contacts	Contact Size			Alternate Position -Degrees			
				20	16	12	W	X	Y	Z
18	8	I	8			8	180	-	-	-
	11	II	11		11		62	119	241	340
	30	I	30	29	1		180	190	285	350
	32	I	32	32			85	138	222	265
20	16	II	16		16		238	318	333	347
	24	I	24	24			70	145	215	290
	27	I	27	27			72	144	216	288
	39	I	39	37	2		63	144	252	333
22	41	I	41	41			45	126	225	-
	21	II	21		21		16	135	175	349
	32	I	32	32			72	145	215	288
	34	I	34	34			62	142	218	298
	41	I	41	27	14		39	135	264	-
24	55	I	55	55			30	142	226	314
	31	I	31		31		90	225	255	-
	61	I	61	61			90	180	270	324

## Contact Arrangement \* front face of pin inserts illustrated

### Shell Size 8

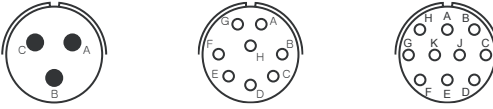


Insert Arrangement	8 - 2	8 - 3	8 - 4	8 - 33	10 - 6	10 - 98
Contact Size - No. of Contacts	#20 - 2	#20 - 3	#20 - 4	#20 - 3	#20 - 6	#20 - 6
Service Rating	I	I	I	I	I	I

### Shell Size 10

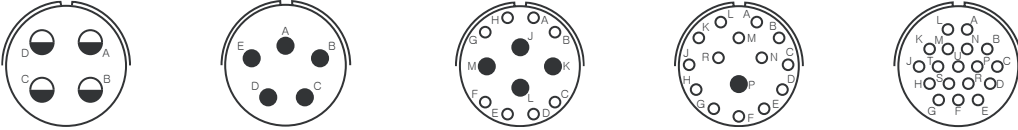


### Shell Size 12

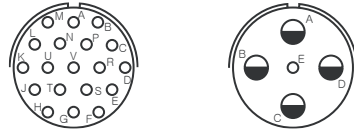


Insert Arrangement	12 - 3	12 - 8	12 - 10
Contact Size - No. of Contacts	#16 - 3	#20 - 8	#20 - 10
Service Rating	II	I	I

### Shell Size 14

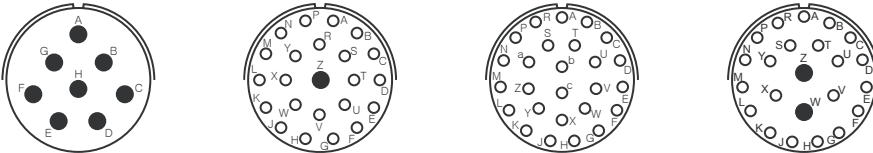


Insert Arrangement	14 - 4	14 - 5	14 - 12	14 - 15	14 - 18
Contact Size - No. of Contacts	#12 - 4	#16 - 5	#20 - 8, #16 - 4	#20 - 14, #16 - 1	#20 - 18
Service Rating	I	II	I	I	I



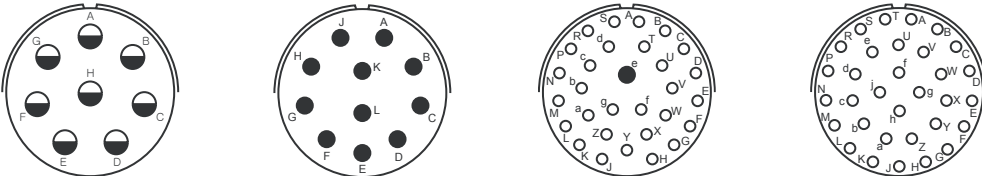
Insert Arrangement	14 - 19	14 - 22
Contact Size - No. of Contacts	#20 - 19	#20 - 1, #12 - 4
Service Rating	I	I

### Shell Size 16



Insert Arrangement	16 - 8	16 - 23	16 - 26	16 - 99
Contact Size - No. of Contacts	#16 - 8	#20 - 22, #16 - 1	#20 - 26	#20 - 21, #16 - 2
Service Rating	II	I	I	I

### Shell Size 18

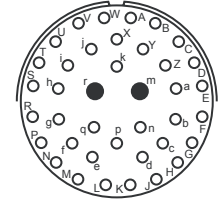
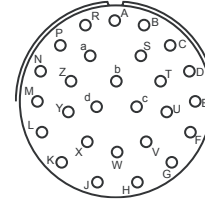
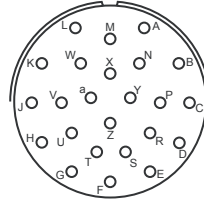
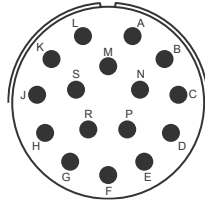


Insert Arrangement	18 - 8	18 - 11	18 - 30	18 - 32
Contact Size - No. of Contacts	#12 - 8	#16 - 11	#20 - 29, #16 - 1	#20 - 32
Service Rating	I	II	I	I

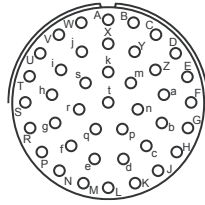
# MSCN / MIL-C-26482 Series 1

## Contact Arrangement \* front face of pin inserts illustrated

### Shell Size 20

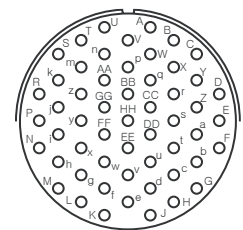
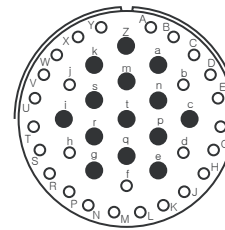
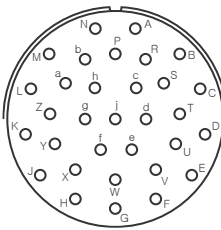
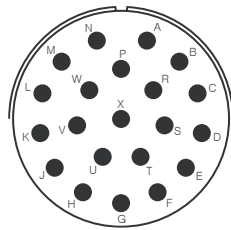


Insert Arrangement	20 - 16	20 - 24	20 - 27	20 - 39
Contact Size - No. of Contacts	#16 - 16	#20 - 24	#20 - 27	#20 - 37, #16 - 2
Service Rating	I	I	I	I



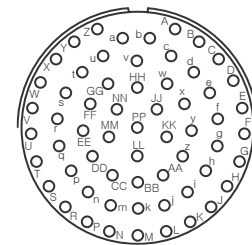
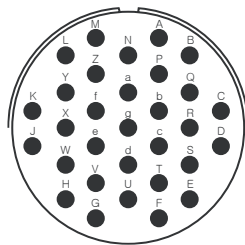
Insert Arrangement	20 - 41
Contact Size - No. of Contacts	#20 - 41
Service Rating	I

### Shell Size 22



Insert Arrangement	22 - 21	22 - 32	22 - 41	22 - 55
Contact Size - No. of Contacts	#16 - 21	#20 - 32	#20 - 27, #16 - 14	#20 - 55
Service Rating	II	I	I	I

### Shell Size 24



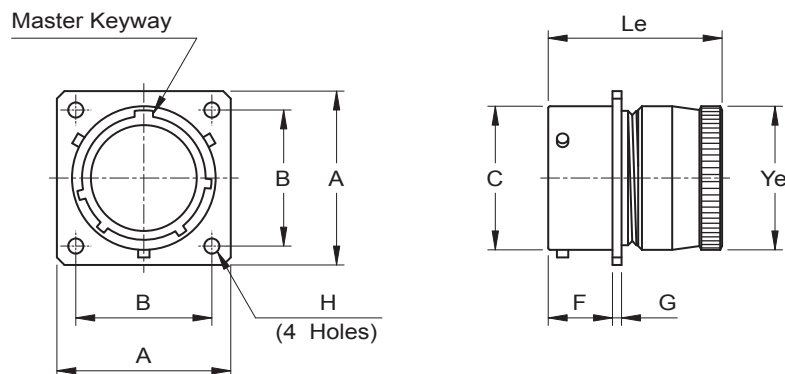
Insert Arrangement	24 - 31	24 - 61
Contact Size - No. of Contacts	#16 - 31	#20 - 61
Service Rating	I	I

### Contact Legend

Symbol	Contact Size
○	20
●	16
◐	12

## Wall mounting receptacle with backnut

MS3110 Class "E"



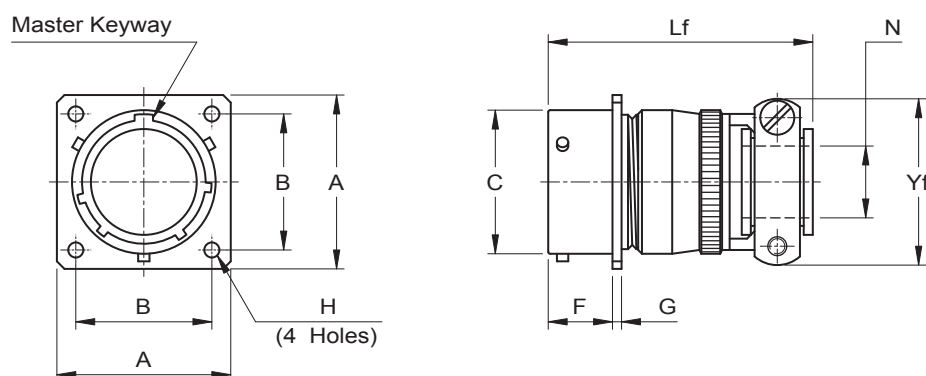
Dimensions in mm.

MIL-C-26482 Part no.	A max.	B $\pm 0.13$	C dia. $\pm 0.08$	F $+0.79 - 0.00$	G $\pm 0.41$	H dia. $\pm 0.13$	Le max.	Ye dia. max.
MS3110E 8 - *	21.03	15.09	11.96	10.95	1.57	3.05	33.73	15.44
MS3110E 10 - *	24.23	18.26	14.94	10.95	1.57	3.05	33.73	18.64
MS3110E 12 - *	26.59	20.62	19.00	10.95	1.57	3.05	33.73	21.79
MS3110E 14 - *	28.98	23.01	22.17	10.95	1.57	3.05	33.73	24.99
MS3110E 16 - *	31.34	24.61	25.35	10.95	1.57	3.05	33.73	28.19
MS3110E 18 - *	33.73	26.97	28.52	10.95	1.57	3.05	33.73	31.34
MS3110E 20 - *	36.91	29.36	31.70	14.12	2.39	3.05	38.89	34.54
MS3110E 22 - *	40.08	31.75	34.87	14.12	2.39	3.05	38.89	37.69
MS3110E 24 - *	43.26	34.93	38.05	14.96	2.39	3.73	40.49	40.89

\* Insert Arrangement & Contact Style

## Wall mounting receptacle with clamp

MS3110 Class "F"



Dimensions in mm.

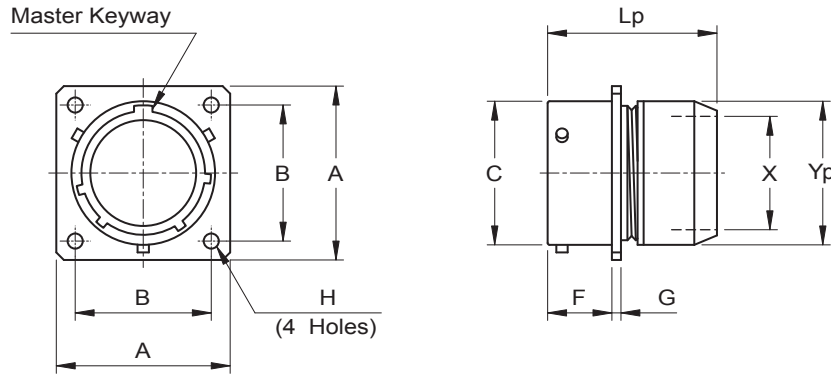
MIL-C-26482 Part no.	A max.	B $\pm 0.13$	C dia. $\pm 0.08$	F $+0.79 - 0.00$	G $\pm 0.41$	H dia. $\pm 0.13$	Lf max.	N dia. $\pm 0.25$	Yf max.
MS3110F 8 - *	21.03	15.09	11.96	10.95	1.57	3.05	48.82	3.18	21.03
MS3110F 10 - *	24.23	18.26	14.94	10.95	1.57	3.05	48.82	4.78	22.63
MS3110F 12 - *	26.59	20.62	19.00	10.95	1.57	3.05	48.82	7.92	25.81
MS3110F 14 - *	28.98	23.01	22.17	10.95	1.57	3.05	48.82	9.53	28.98
MS3110F 16 - *	31.34	24.61	25.35	10.95	1.57	3.05	51.99	12.70	30.56
MS3110F 18 - *	33.73	26.97	28.52	10.95	1.57	3.05	52.78	15.88	37.31
MS3110F 20 - *	36.91	29.36	31.70	14.12	2.39	3.05	59.54	15.88	37.31
MS3110F 22 - *	40.08	31.75	34.87	14.12	2.39	3.05	59.54	19.05	42.06
MS3110F 24 - *	43.26	34.93	38.05	14.96	2.39	3.73	61.11	20.32	44.45

\* Insert Arrangement & Contact Style

# MSCN / MIL-C-26482 Series 1

## Wall mounting receptacle with potting shell

MS3110 Class "P"



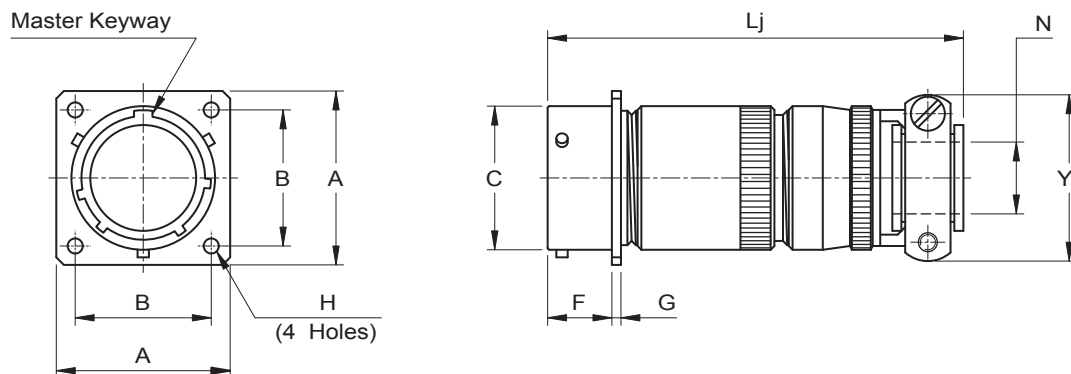
Dimensions in mm.

MIL-C-26482 Part no.	A max.	B $\pm 0.13$	C dia. $\pm 0.08$	F $+0.79 - 0.00$	G $\pm 0.41$	H dia. $\pm 0.13$	Lp max.	X dia. min.	Yp max.
MS3110P 8 - *	21.03	15.09	11.96	10.95	1.57	3.05	36.91	8.05	15.44
MS3110P 10 - *	24.23	18.26	14.94	10.95	1.57	3.05	36.91	11.02	18.64
MS3110P 12 - *	26.59	20.62	19.00	10.95	1.57	3.05	36.91	13.92	21.79
MS3110P 14 - *	28.98	23.01	22.17	10.95	1.57	3.05	36.91	17.09	24.99
MS3110P 16 - *	31.34	24.61	25.35	10.95	1.57	3.05	36.91	20.27	28.19
MS3110P 18 - *	33.73	26.97	28.52	10.95	1.57	3.05	36.91	22.83	31.34
MS3110P 20 - *	36.91	29.36	31.70	14.12	2.39	3.05	42.47	26.01	34.54
MS3110P 22 - *	40.08	31.75	34.87	14.12	2.39	3.05	42.47	29.18	37.69
MS3110P 24 - *	43.26	34.93	38.05	14.96	2.39	3.73	44.04	32.36	40.89

\* Insert Arrangement & Contact Style

## Wall mounting receptacle with sealing gland backshell

MS3110 Class "J"



Dimensions in mm.

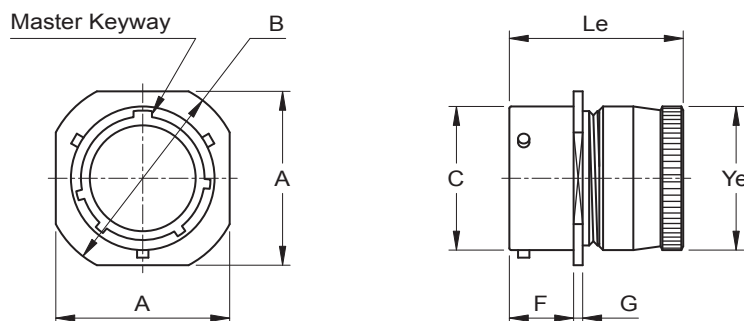
MIL-C-26482 Part no.	A max.	B $\pm 0.13$	C dia. $\pm 0.08$	F $+0.79 - 0.00$	G $\pm 0.41$	H dia. $\pm 0.13$	Lj max.	N dia. $\pm 0.25$	Yj max.
MS3110J 8 - *	21.03	15.09	11.96	10.95	1.57	3.05	57.68	3.18	21.03
MS3110J 10 - *	24.23	18.26	14.94	10.95	1.57	3.05	57.68	4.78	22.63
MS3110J 12 - *	26.59	20.62	19.00	10.95	1.57	3.05	61.24	7.92	25.81
MS3110J 14 - *	28.98	23.01	22.17	10.95	1.57	3.05	66.01	9.53	28.98
MS3110J 16 - *	31.34	24.61	25.35	10.95	1.57	3.05	74.75	12.70	30.56
MS3110J 18 - *	33.73	26.97	28.52	10.95	1.57	3.05	80.57	15.88	37.31
MS3110J 20 - *	36.91	29.36	31.70	14.12	2.39	3.05	91.69	15.88	37.31
MS3110J 22 - *	40.08	31.75	34.87	14.12	2.39	3.05	95.66	19.05	42.06
MS3110J 24 - *	43.26	34.93	38.05	14.96	2.39	3.73	101.22	20.32	44.45

\* Insert Arrangement & Contact Style



## In-line receptacle with backnut

MS3111 Class "E"



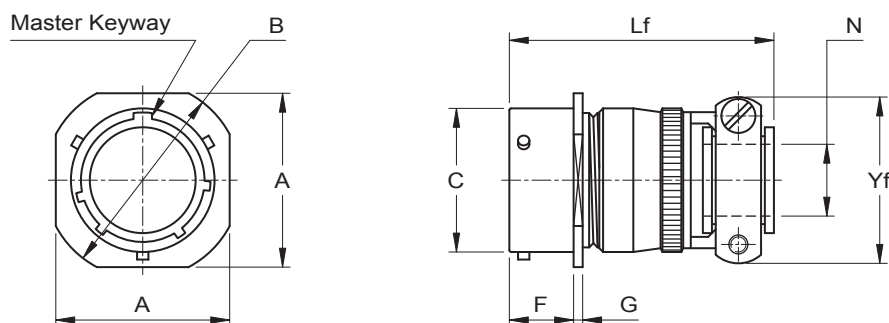
Dimensions in mm.

MIL-C-26482 Part no.	A max.	B dia. $\pm 0.51$	C dia. $\pm 0.08$	F $+0.79 - 0.00$	G $\pm 0.41$	Le max.	Ye dia. max.
MS3111E 8 - *	21.03	23.83	11.96	10.16	2.39	33.73	15.44
MS3111E 10 - *	24.23	26.97	14.94	10.16	2.39	33.73	18.64
MS3111E 12 - *	26.59	29.36	19.00	10.16	2.39	33.73	21.79
MS3111E 14 - *	28.98	31.75	22.17	10.16	2.39	33.73	24.99
MS3111E 16 - *	31.34	34.14	25.35	10.16	2.39	33.73	28.19
MS3111E 18 - *	33.73	36.53	28.52	10.16	2.39	33.73	31.34
MS3111E 20 - *	36.91	39.67	31.70	13.59	2.92	38.89	34.54
MS3111E 22 - *	40.08	42.88	34.87	13.59	2.92	38.89	37.69
MS3111E 24 - *	43.26	46.02	38.05	14.43	2.92	40.49	40.89

\* Insert Arrangement & Contact Style

## In-line receptacle with clamp

MS3111 Class "F"



Dimensions in mm.

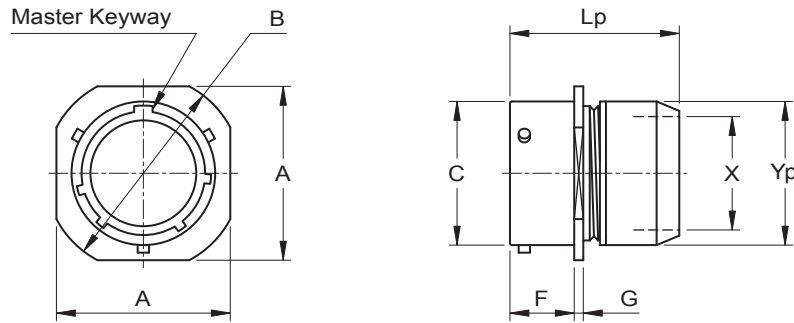
MIL-C-26482 Part no.	A max.	B dia. $\pm 0.51$	C dia. $\pm 0.08$	F $+0.79 - 0.00$	G $\pm 0.41$	Lf max.	N dia. $\pm 0.25$	Yf max.
MS3111F 8 - *	21.03	23.83	11.96	10.16	2.39	48.82	3.18	21.03
MS3111F 10 - *	24.23	26.97	14.94	10.16	2.39	48.82	4.78	22.63
MS3111F 12 - *	26.59	29.36	19.00	10.16	2.39	48.82	7.92	25.81
MS3111F 14 - *	28.98	31.75	22.17	10.16	2.39	48.82	9.53	28.98
MS3111F 16 - *	31.34	34.14	25.35	10.16	2.39	51.99	12.70	30.56
MS3111F 18 - *	33.73	36.53	28.52	10.16	2.39	52.78	15.88	37.31
MS3111F 20 - *	36.91	39.67	31.70	13.59	2.92	59.54	15.88	37.31
MS3111F 22 - *	40.08	42.88	34.87	13.59	2.92	59.54	19.05	42.06
MS3111F 24 - *	43.26	46.02	38.05	14.43	2.92	61.11	20.32	44.45

\* Insert Arrangement & Contact Style

# MSCN / MIL-C-26482 Series 1

## In-line receptacle with potting shell

MS3111 Class "P"



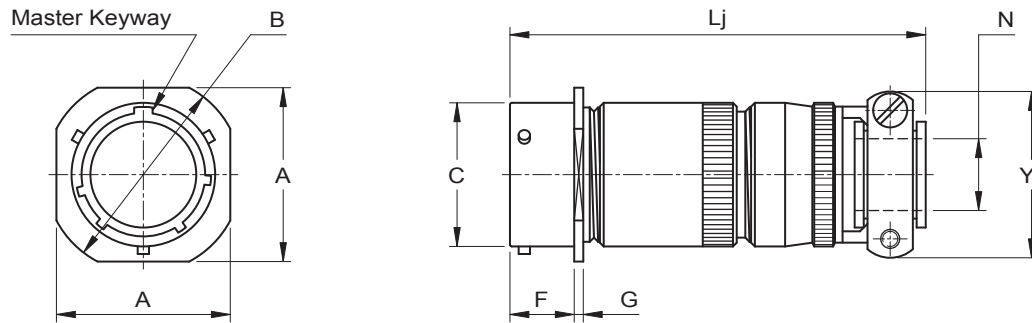
Dimensions in mm.

MIL-C-26482 Part no.	A max.	B dia. $\pm 0.51$	C dia. $\pm 0.08$	F $+0.79 - 0.00$	G $\pm 0.41$	Lp max.	X dia. min.	Yp max.
MS3111P 8 - *	21.03	23.83	11.96	10.16	1.57	36.91	8.05	15.44
MS3111P 10 - *	24.23	26.97	14.94	10.16	1.57	36.91	11.02	18.64
MS3111P 12 - *	26.59	29.36	19.00	10.16	1.57	36.91	13.92	21.79
MS3111P 14 - *	28.98	31.75	22.17	10.16	1.57	36.91	17.09	24.99
MS3111P 16 - *	31.34	34.14	25.35	10.16	1.57	36.91	20.27	28.19
MS3111P 18 - *	33.73	36.53	28.52	10.16	1.57	36.91	22.83	31.34
MS3111P 20 - *	36.91	39.67	31.70	13.59	2.39	42.47	26.01	34.54
MS3111P 22 - *	40.08	42.88	34.87	13.59	2.39	42.47	29.18	37.69
MS3111P 24 - *	43.26	46.02	38.05	14.43	2.39	44.04	32.36	40.89

\* Insert Arrangement & Contact Style

## In-line receptacle with sealing gland backshell

MS3111 Class "J"



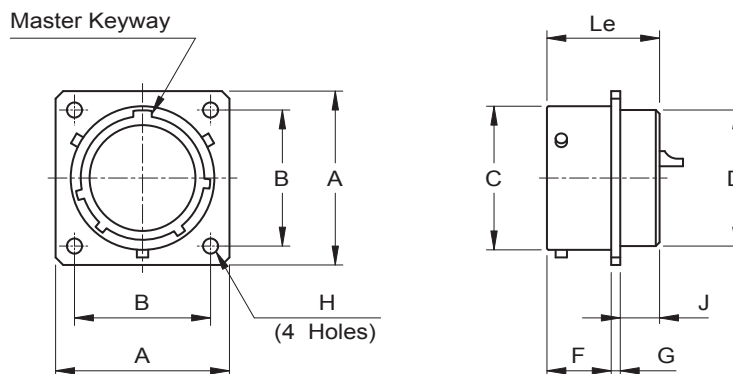
Dimensions in mm.

MIL-C-26482 Part no.	A max.	B dia. $\pm 0.51$	C dia. $\pm 0.08$	F $+0.79 - 0.00$	G $\pm 0.41$	Lj max.	N dia. $\pm 0.25$	Yj max.
MS3111J 8 - *	21.03	23.83	11.96	10.16	2.39	57.68	3.18	21.03
MS3111J 10 - *	24.23	26.97	14.94	10.16	2.39	57.68	4.78	22.63
MS3111J 12 - *	26.59	29.36	19.00	10.16	2.39	61.24	7.92	25.81
MS3111J 14 - *	28.98	31.75	22.17	10.16	2.39	66.01	9.53	28.98
MS3111J 16 - *	31.34	34.14	25.35	10.16	2.39	74.75	12.70	30.56
MS3111J 18 - *	33.73	36.53	28.52	10.16	2.39	80.57	15.88	37.31
MS3111J 20 - *	36.91	39.67	31.70	13.59	2.92	91.69	15.88	37.31
MS3111J 22 - *	40.08	42.88	34.87	13.59	2.92	95.66	19.05	42.06
MS3111J 24 - *	43.26	46.02	38.05	14.43	2.92	101.22	20.32	44.45

\* Insert Arrangement & Contact Style

## Box mounting receptacle not accepting backshell

MS3112 Class "E"



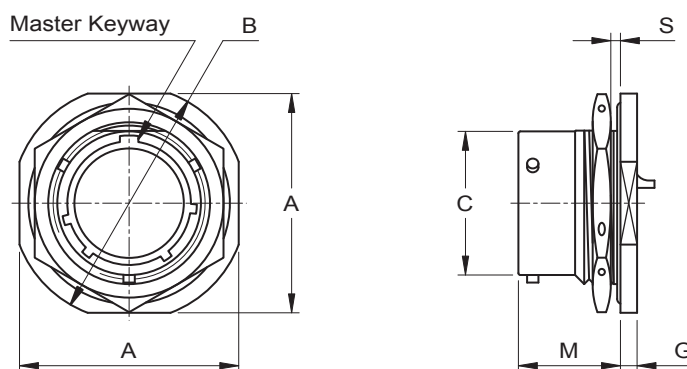
Dimensions in mm.

MIL-C-26482 Part no.	A max.	B ±0.13	C dia. ±0.08	D dia. +0.79 -0.41	F +0.79 -0.00	G ±0.41	H dia. ±0.13	J max.	Le max.
MS3112E 8 - *	21.03	15.09	11.96	11.13	10.95	1.57	3.05	8.99	24.84
MS3112E 10 - *	24.23	18.26	14.94	14.27	10.95	1.57	3.05	8.99	24.84
MS3112E 12 - *	26.59	20.62	19.00	17.48	10.95	1.57	3.05	8.99	24.84
MS3112E 14 - *	28.98	23.01	22.17	20.62	10.95	1.57	3.05	8.99	24.84
MS3112E 16 - *	31.34	24.61	25.35	23.83	10.95	1.57	3.05	8.99	24.84
MS3112E 18 - *	33.73	26.97	28.52	26.97	10.95	1.57	3.05	8.99	24.84
MS3112E 20 - *	36.91	29.36	31.70	30.18	14.12	2.39	3.05	10.59	30.38
MS3112E 22 - *	40.08	31.75	34.87	33.32	14.12	2.39	3.05	10.59	30.38
MS3112E 24 - *	43.26	34.93	38.05	36.53	14.96	2.39	3.73	11.30	30.38

\* Insert Arrangement & Contact Style

## Jam nut receptacle not accepting backshell

MS3114 Class "A"



Dimensions in mm.

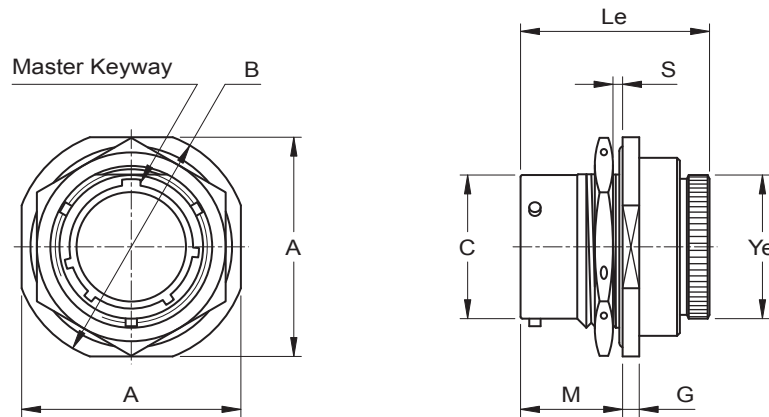
MIL-C-26482 Part no.	A max.	B dia. +0.00 -0.81	C dia. ±0.08	G ±0.51	M +0.79 -0.00	S Panel thick min. / max.
MS3114A 8 - *	24.23	27.38	11.96	2.97	17.55	1.57 / 3.18
MS3114A 10 - *	27.38	30.56	14.94	2.97	17.55	1.57 / 3.18
MS3114A 12 - *	32.16	35.33	19.00	2.97	17.55	1.57 / 3.18
MS3114A 14 - *	35.33	38.51	22.17	2.97	17.55	1.57 / 3.18
MS3114A 16 - *	38.51	41.68	25.35	2.97	17.55	1.57 / 3.18
MS3114A 18 - *	41.68	44.86	28.52	2.97	17.55	1.57 / 3.18
MS3114A 20 - *	46.43	49.63	31.70	3.76	22.33	1.57 / 6.35
MS3114A 22 - *	49.63	52.78	34.87	3.76	22.33	1.57 / 6.35
MS3114A 24 - *	52.78	55.96	38.05	3.76	23.16	1.57 / 6.35

\* Insert Arrangement & Contact Style

# MSCN / MIL-C-26482 Series 1

## Jam nut receptacle with backnut

MS3114 Class "E"



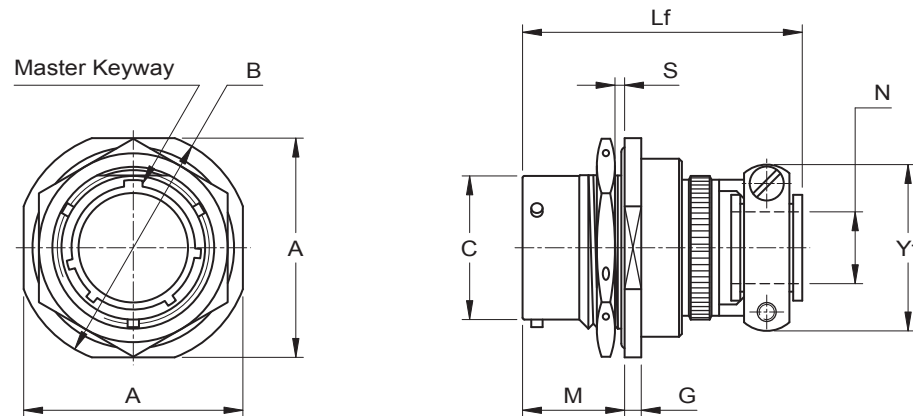
Dimensions in mm.

MIL-C-26482 Part no.	A max.	B dia. +0.00 -0.81	C dia. ±0.08	G ±0.41	Le max.	M +0.79 -0.00	S Panel thick min. / max.	Ye max.
MS3114E 8 - *	24.23	27.38	11.96	2.97	34.14	17.55	1.57 / 3.18	19.05
MS3114E 10 - *	27.38	30.56	14.94	2.97	34.14	17.55	1.57 / 3.18	22.23
MS3114E 12 - *	32.16	35.33	19.00	2.97	34.14	17.55	1.57 / 3.18	25.40
MS3114E 14 - *	35.33	38.51	22.17	2.97	34.14	17.55	1.57 / 3.18	28.58
MS3114E 16 - *	38.51	41.68	25.35	2.97	34.14	17.55	1.57 / 3.18	31.75
MS3114E 18 - *	41.68	44.86	28.52	2.97	34.14	17.55	1.57 / 3.18	34.93
MS3114E 20 - *	46.43	49.63	31.70	3.76	40.49	22.33	1.57 / 6.35	38.89
MS3114E 22 - *	49.63	52.78	34.87	3.76	40.49	22.33	1.57 / 6.35	42.06
MS3114E 24 - *	52.78	55.96	38.05	3.76	41.68	23.16	1.57 / 6.35	45.24

\* Insert Arrangement & Contact Style

## Jam nut receptacle with clamp

MS3114 Class "F"



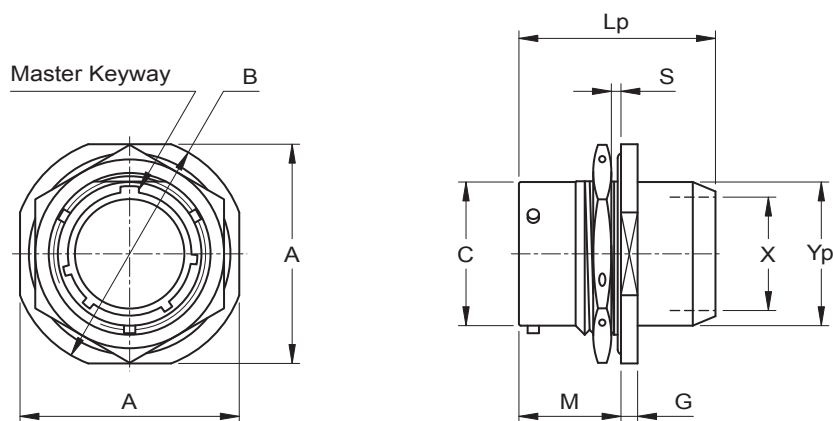
Dimensions in mm.

MIL-C-26482 Part no.	A max.	B dia. +0.00 -0.81	C dia. ±0.08	G ±0.41	Lf max.	M +0.79 -0.00	N dia. ±0.25	S Panel thick min. / max.	Yf max.
MS3114F 8 - *	24.23	27.38	11.96	2.97	48.41	17.55	3.18	1.57 / 3.18	21.03
MS3114F 10 - *	27.38	30.56	14.94	2.97	48.41	17.55	4.78	1.57 / 3.18	22.63
MS3114F 12 - *	32.16	35.33	19.00	2.97	48.41	17.55	7.92	1.57 / 3.18	25.81
MS3114F 14 - *	35.33	38.51	22.17	2.97	48.41	17.55	9.53	1.57 / 3.18	28.98
MS3114F 16 - *	38.51	41.68	25.35	2.97	51.99	17.55	12.70	1.57 / 3.18	30.56
MS3114F 18 - *	41.68	44.86	28.52	2.97	52.78	17.55	15.88	1.57 / 3.18	37.31
MS3114F 20 - *	46.43	49.63	31.70	3.76	59.13	22.33	15.88	1.57 / 6.35	37.31
MS3114F 22 - *	49.63	52.78	34.87	3.76	59.13	22.33	19.05	1.57 / 6.35	42.06
MS3114F 24 - *	52.78	55.96	38.05	3.76	62.31	23.16	20.32	1.57 / 6.35	44.45

\* Insert Arrangement & Contact Style

## Jam nut receptacle with potting shell

MS3114 Class "P"



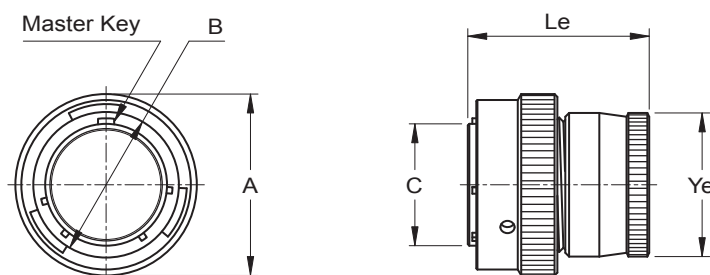
Dimensions in mm.

MIL-C-26482 Part no.	A max.	B dia. +0.00 -0.81	C dia. ±0.08	G ±0.51	Lp max.	M +0.79 -0.00	S Panel thick min. / max.	X dia. min.	Yp max.
MS3114P 8 - *	24.23	27.38	11.96	2.97	35.33	17.55	1.57 / 3.18	8.05	15.44
MS3114P 10 - *	27.38	30.56	14.94	2.97	35.33	17.55	1.57 / 3.18	11.02	18.64
MS3114P 12 - *	32.16	35.33	19.00	2.97	35.33	17.55	1.57 / 3.18	13.92	21.79
MS3114P 14 - *	35.33	38.51	22.17	2.97	35.33	17.55	1.57 / 3.18	17.09	24.99
MS3114P 16 - *	38.51	41.68	25.35	2.97	35.33	17.55	1.57 / 3.18	20.27	28.19
MS3114P 18 - *	41.68	44.86	28.52	2.97	35.33	17.55	1.57 / 3.18	22.83	31.34
MS3114P 20 - *	46.43	49.63	31.70	3.76	41.68	22.33	1.57 / 6.35	26.01	34.54
MS3114P 22 - *	49.63	52.78	34.87	3.76	41.68	22.33	1.57 / 6.35	29.18	37.69
MS3114P 24 - *	52.78	55.96	38.05	3.76	43.26	23.16	1.57 / 6.35	32.36	40.89

\* Insert Arrangement & Contact Style

## Straight plug with backnut

MS3116 Class "E"



Dimensions in mm.

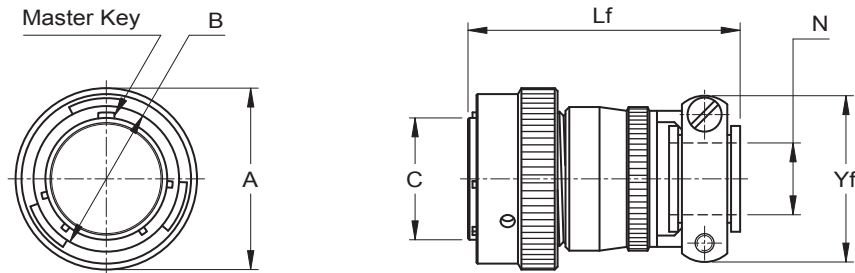
MIL-C-26482 Part no.	A dia. max.	B dia. ±0.08	C dia. ±0.08	Le max.	Ye dia. max.
MS3116E 8 - *	19.86	9.02	12.87	33.73	15.44
MS3116E 10 - *	23.52	12.87	15.34	33.73	18.64
MS3116E 12 - *	26.49	15.11	19.38	33.73	21.79
MS3116E 14 - *	30.05	18.29	22.53	33.73	24.99
MS3116E 16 - *	33.15	21.46	25.70	33.73	28.19
MS3116E 18 - *	35.33	24.00	28.91	33.73	31.34
MS3116E 20 - *	38.89	27.18	32.05	36.91	34.54
MS3116E 22 - *	42.06	30.35	35.23	36.91	37.69
MS3116E 24 - *	45.14	33.53	38.40	38.35	40.89

\* Insert Arrangement & Contact Style

# MSCN / MIL-C-26482 Series 1

## Straight plug with clamp

MS3116 Class "F"



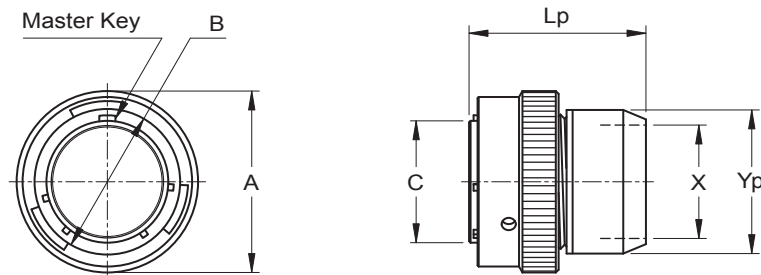
Dimensions in mm.

MIL-C-26482 Part no.	A dia. max.	B dia. $\pm 0.08$	C dia. $\pm 0.08$	Lf max.	N dia. $\pm 0.25$	Yf max.
MS3116F 8 - *	19.86	9.02	12.87	48.41	3.18	21.03
MS3116F 10 - *	23.52	12.87	15.34	48.41	4.78	22.63
MS3116F 12 - *	26.49	15.11	19.38	48.41	7.92	25.81
MS3116F 14 - *	30.05	18.29	22.53	48.41	9.53	28.98
MS3116F 16 - *	33.15	21.46	25.70	51.99	12.70	30.56
MS3116F 18 - *	35.33	24.00	28.91	52.78	15.88	37.31
MS3116F 20 - *	38.89	27.18	32.05	57.15	15.88	37.31
MS3116F 22 - *	42.06	30.35	35.23	57.15	19.05	42.06
MS3116F 24 - *	45.14	33.53	38.40	58.72	20.32	44.45

\* Insert Arrangement & Contact Style

## Straight plug with potting shell

MS3116 Class "P"



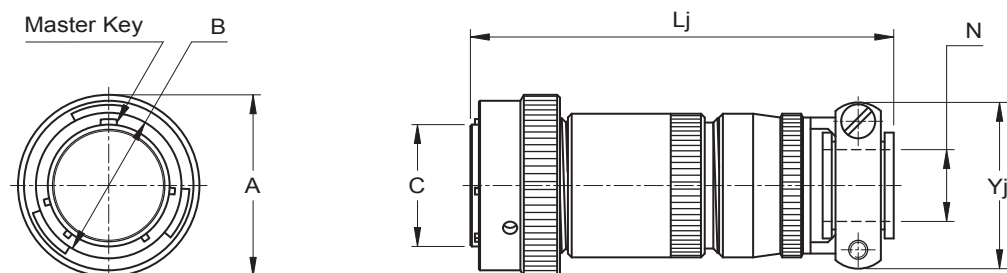
Dimensions in mm.

MIL-C-26482 Part no.	A dia. max.	B dia. $\pm 0.08$	C dia. $\pm 0.08$	Lp max.	X dia. min.	Yp max.
MS3116P 8 - *	19.86	9.02	12.87	38.10	8.05	15.44
MS3116P 10 - *	23.52	12.87	15.34	38.10	11.02	18.64
MS3116P 12 - *	26.49	15.11	19.38	38.10	13.92	21.79
MS3116P 14 - *	30.05	18.29	22.53	38.10	17.09	24.99
MS3116P 16 - *	33.15	21.46	25.70	38.10	20.27	28.19
MS3116P 18 - *	35.33	24.00	28.91	38.10	22.83	31.34
MS3116P 20 - *	38.89	27.18	32.05	40.87	26.01	34.54
MS3116P 22 - *	42.06	30.35	35.23	40.87	29.18	37.69
MS3116P 24 - *	45.14	33.53	38.40	42.85	32.36	40.89

\* Insert Arrangement & Contact Style

## Straight plug with sealing gland backshell

MS3116 Class "J"



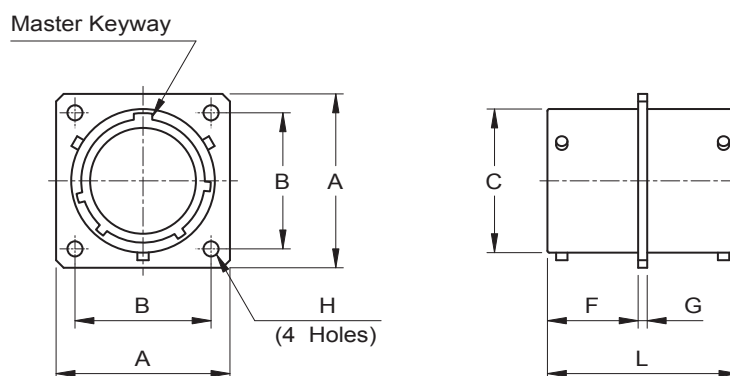
Dimensions in mm.

MIL-C-26482 Part no.	A dia. max.	B dia. $\pm 0.08$	C dia. $\pm 0.08$	Lj max.	N dia. $\pm 0.25$	Yj max.
MS3116J 8 - *	19.86	9.02	12.87	57.68	3.18	21.03
MS3116J 10 - *	23.52	12.87	15.34	57.68	4.78	22.63
MS3116J 12 - *	26.49	15.11	19.38	61.24	7.92	25.81
MS3116J 14 - *	30.05	18.29	22.53	66.01	9.53	28.98
MS3116J 16 - *	33.15	21.46	25.70	74.75	12.70	30.56
MS3116J 18 - *	35.33	24.00	28.91	80.57	15.88	37.31
MS3116J 20 - *	38.89	27.18	32.05	91.69	15.88	37.31
MS3116J 22 - *	42.06	30.35	35.23	95.66	19.05	42.06
MS3116J 24 - *	45.14	33.53	38.40	101.22	20.32	44.45

\* Insert Arrangement & Contact Style

## Thru-bulkhead receptacle

MS3119 Class "E"



Dimensions in mm.

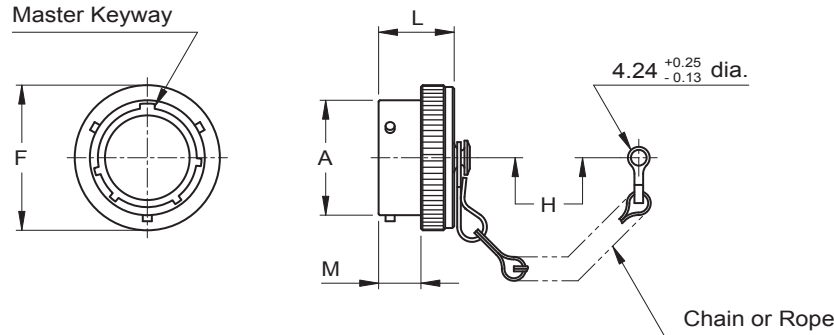
MIL-C-26482 Part no.	A max.	B $\pm 0.13$	C dia. $\pm 0.08$	F $+0.79 - 0.00$	G $\pm 0.41$	H dia. $\pm 0.13$	L max.
MS3119E 8 - *	21.03	15.09	11.96	14.27	1.57	3.05	28.58
MS3119E 10 - *	24.23	18.26	14.94	14.27	1.57	3.05	28.58
MS3119E 12 - *	26.59	20.62	19.00	14.27	1.57	3.05	28.58
MS3119E 14 - *	28.98	23.01	22.17	14.27	1.57	3.05	28.58
MS3119E 16 - *	31.34	24.61	25.35	14.27	1.57	3.05	28.58
MS3119E 18 - *	33.73	26.97	28.52	14.27	1.57	3.05	28.58
MS3119E 20 - *	36.91	29.36	31.70	17.47	2.39	3.05	35.71
MS3119E 22 - *	40.08	31.75	34.87	17.47	2.39	3.05	35.71
MS3119E 24 - *	43.26	34.93	38.05	17.47	2.39	3.73	35.71

\* Insert Arrangement & Contact Style

# MSCN / MIL-C-26482 Series 1

## Protective cover for plug

MS3180



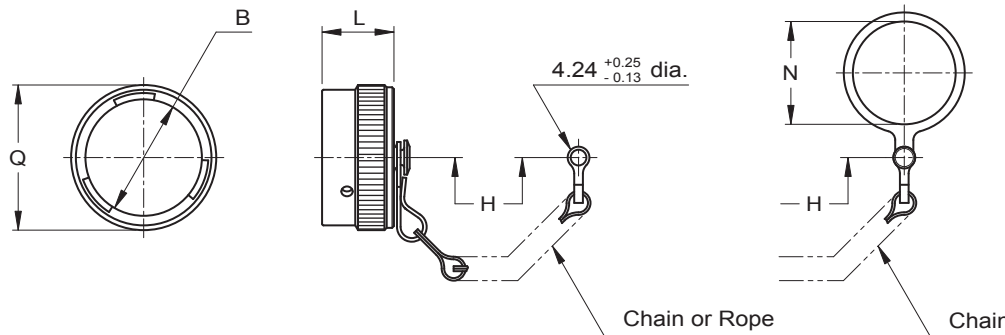
Dimensions in mm.

MIL-C-26482 Part no.	Dash no. (with Chain)	Dash no. (with Rope)	A dia. +0.03 -0.13	F dia. max.	H +12.70 -6.35	L max.	M +0.25 -0.00
MS3180 - *	8C	8R	12.01	18.26	76.20	14.27	9.35
MS3180 - *	10C	10R	14.99	21.44	76.20	14.27	9.35
MS3180 - *	12C	12R	19.05	25.40	88.90	14.27	9.35
MS3180 - *	14C	14R	22.22	28.58	88.90	14.27	9.35
MS3180 - *	16C	16R	25.40	31.75	88.90	14.27	9.35
MS3180 - *	18C	18R	28.58	34.92	88.90	14.27	9.35
MS3180 - *	20C	20R	31.75	38.10	101.60	15.88	10.92
MS3180 - *	22C	22R	34.92	41.28	101.60	15.88	10.92
MS3180 - *	24C	24R	38.10	44.45	101.60	16.71	11.76

\* Dash no.

## Protective cover for receptacle

MS3181



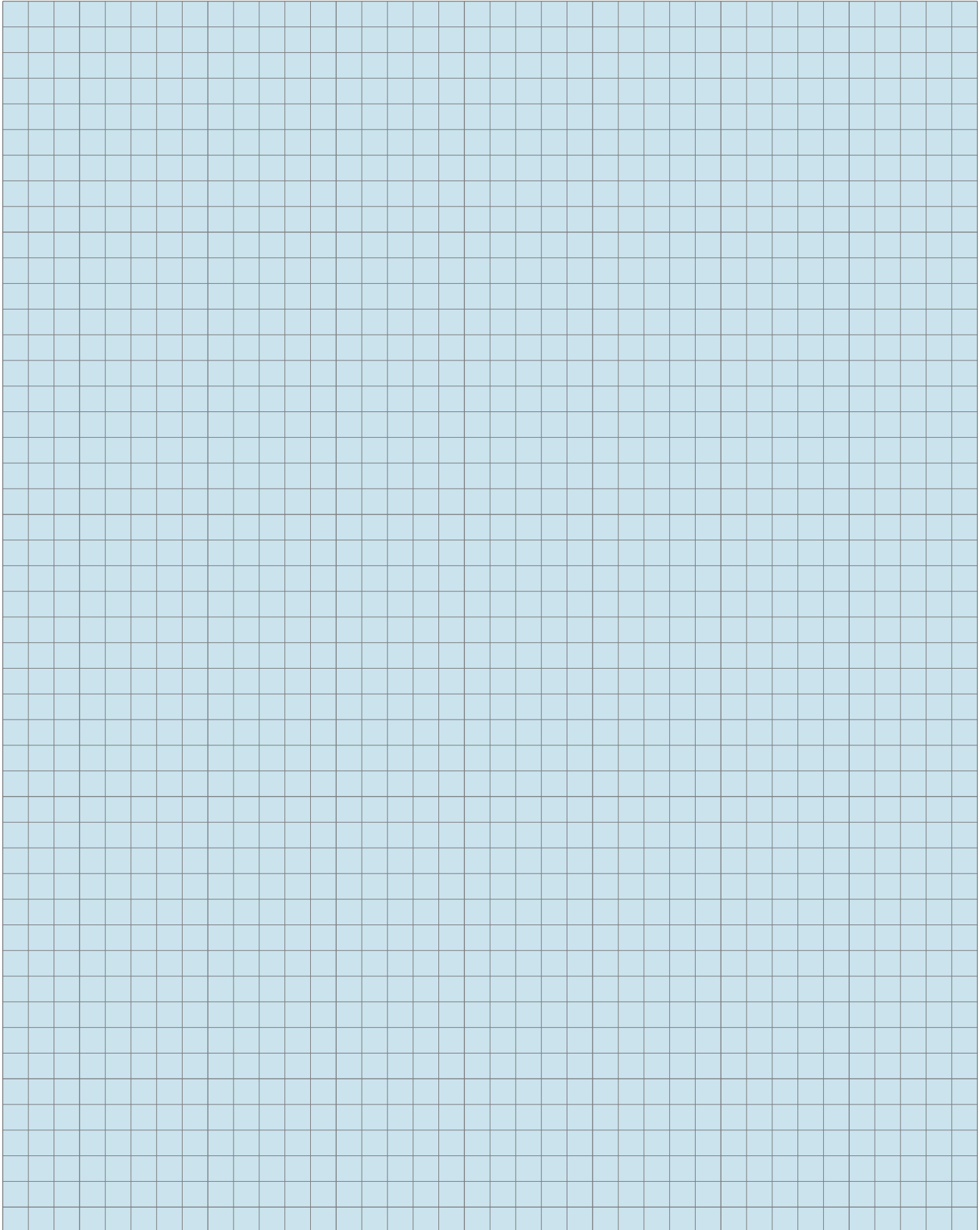
Dimensions in mm.

MIL-C-26482 Part no.	Dash no. (with Chain)	Dash no. (with Chain and Ring)	Dash no. (with Rope)	B dia. ±0.08	H +12.70 -6.35	L max.	N dia. min.	Q dia. max.
MS3181 - *	8C	8N	8R	9.02	76.20	14.27	14.68	18.64
MS3181 - *	10C	10N	10R	12.87	76.20	14.27	17.86	21.82
MS3181 - *	12C	12N	12R	15.11	88.90	14.27	22.63	25.40
MS3181 - *	14C	14N	14R	18.29	88.90	14.27	25.81	28.58
MS3181 - *	16C	16N	16R	21.46	88.90	14.27	28.98	31.75
MS3181 - *	18C	18N	18R	24.00	88.90	14.27	32.16	34.92
MS3181 - *	20C	20N	20R	27.18	101.60	14.27	35.33	38.10
MS3181 - *	22C	22N	22R	30.35	101.60	14.27	38.51	41.28
MS3181 - *	24C	24N	24R	33.53	101.60	15.29	41.68	44.45

\* Dash no.



Notes



**Notes**

